

---

## Jet ski Port

---

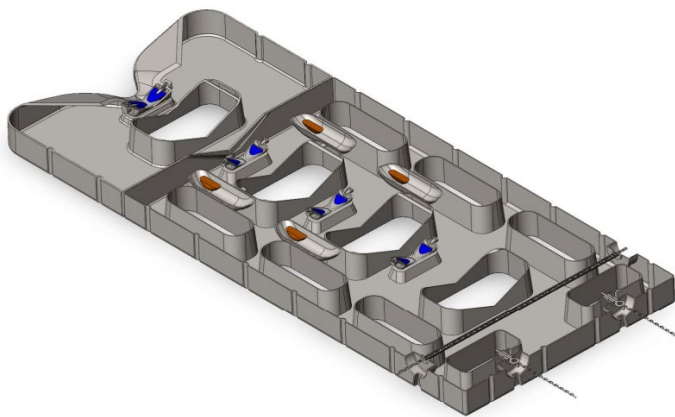
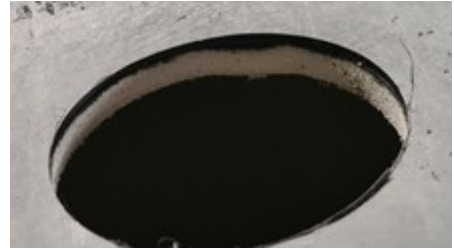
1. Product characteristics.....	1
2. Select correct product for your Jet Ski .....	2
3. Direct connection to other docks.....	3
4. Connection through port extension.....	4
5. Maintenance .....	5

### 1. Product characteristics

- ✓ 2 Layer product

Thanks to unique technology of 2layer product:

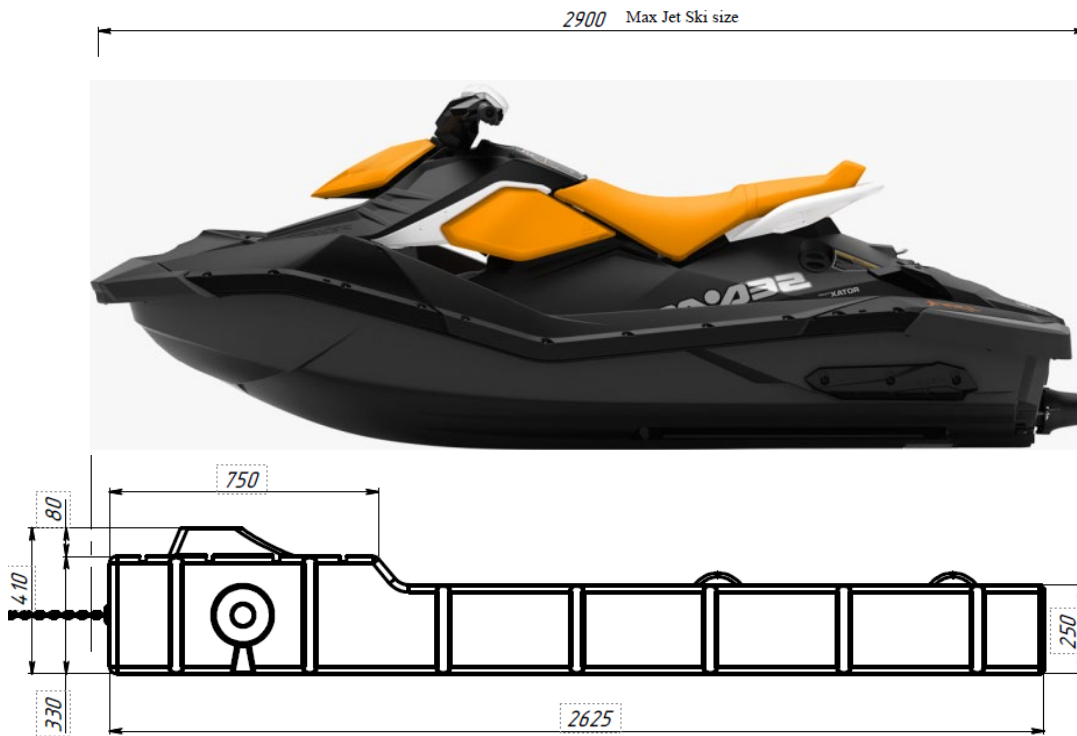
- Layer of PE+ Layer of foamed PE
  - Product is light weight
  - Strong walls
- 
- ✓ 4 pc. Wheels, 4 (3) pc. Rollers.
  - ✓ Jet ski float 2600 is 2 layer product
  - ✓ Jet ski float 3600 is made by extrusion welding of Jet ski float 2600 and tail part (1 layer)
  - ✓ Jet ski float is empty inside and has “air chambers” at the bottom. When on water, air chambers are filled with air and provide additional floatation. Float has anti-slip surface, so people can walk barefoot.



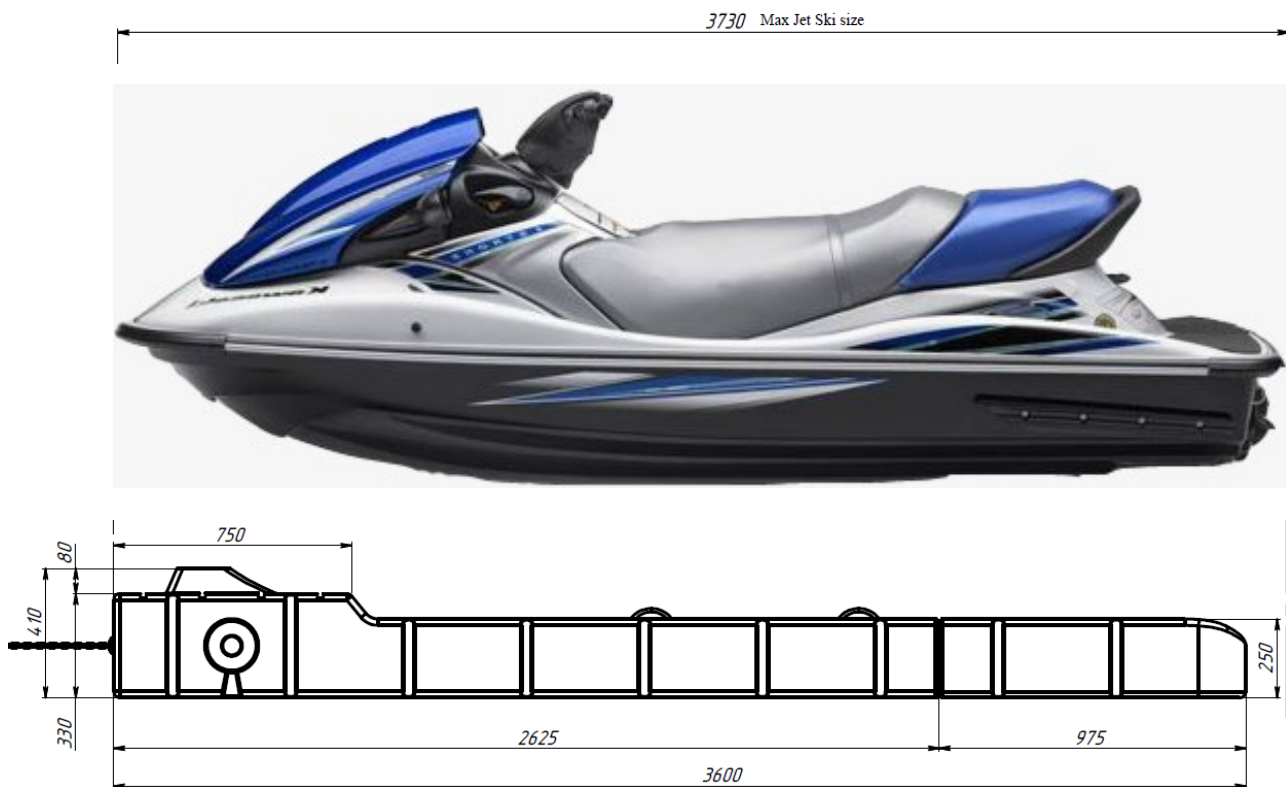
View from the top, showing air chambers

## 2. Select correct product for your Jet Ski

**Port 2600** Sink load 600 kg.



**Port 3600** Sink load 800 kg.



If your Jet ski is longer than 90% of Jet ski Port length it would be more comfortable to add Port Extension, in order to prevent Jet Ski from hitting vertical structure, when driving in.

We can not give recommendations, what Jet Ski models(weight and length) are suitable for our Port, because customers have different preferences as to position of Jet Ski on the Port. Some customers think that Jet ski port fits as long as it ensures that Nozzle is not constantly in the water.

### 3. Direct connection to other docks

Jet ski port has 2 eye bolts at the front. Using them, you can connect chain or rope for any further connection. All possible connections are listed below. Jet ski can be connected with long side or with short side.



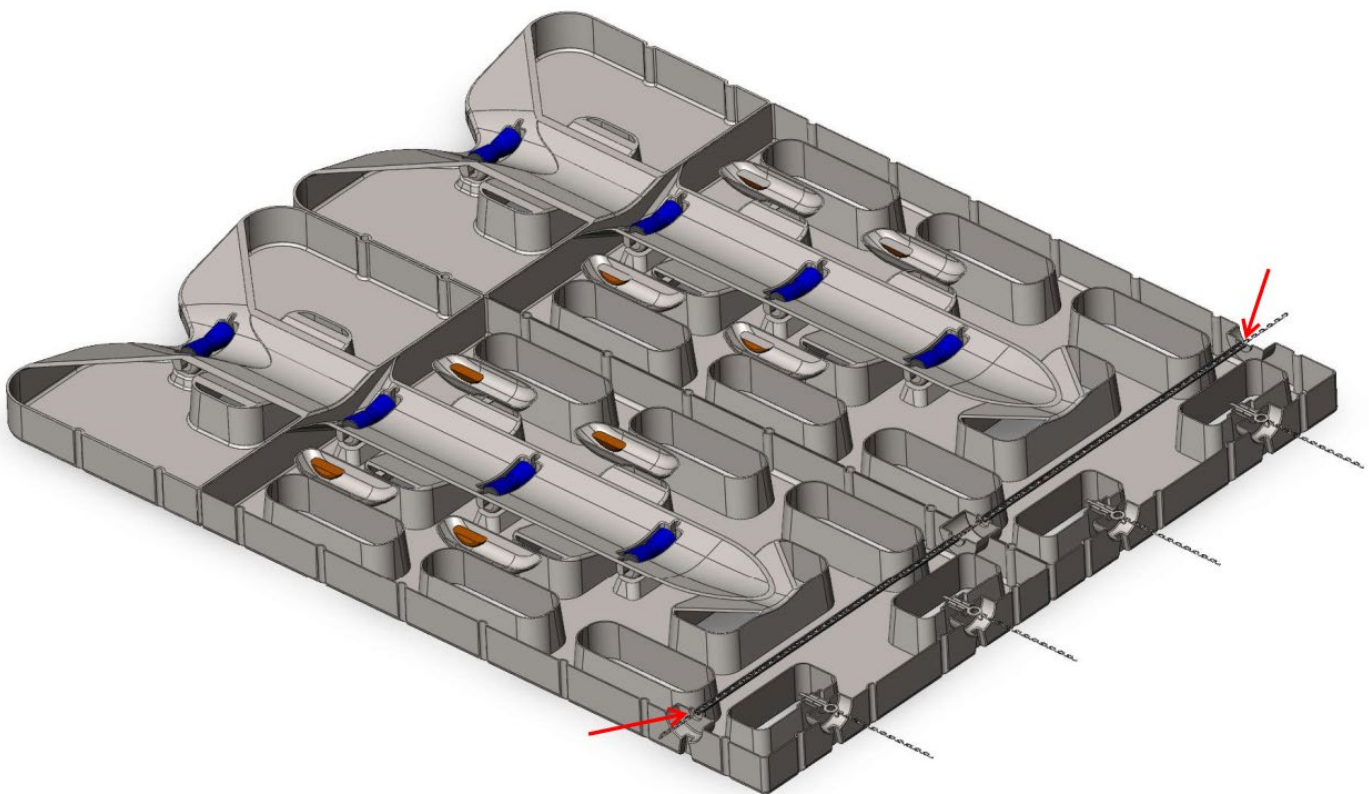
Chain and Sleeve, used in connection type 3.1 and 3.2 are not included and should be ordered separately.

#### 3.1. Connection to Modular pontoon or another Jet ski port by chains (long side)

To allow connection, there is 1 pre-welded PE pipe on a long side, similarly to Modular pontoon float 3x1,5. If you connect Jet ski with long side, only 1 chain can be used, since there is only 1 pipe. Back part is not fixed in this scenario to allow Jet ski port to be flexible (to change from loaded to unloaded state).



Connection method same as on [UHP site](#). But chain should be put through jet ski port first and then go through modular pontoon 1500.



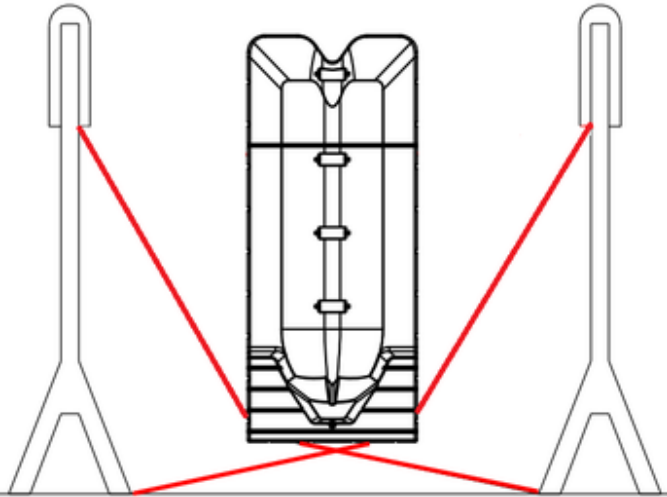
#### 3.2. Connection to Modular pontoon by chains (short side)

Similarly to method above, connect chains, going outside of modular pontoon 1500 to the eye bolt of Jet ski port.



### 3.3. Loose connection by ropes (short side only)

Ropes (red on picture below) can be tied up to eye bolts at the front and to carabines at the side. At the other side, ropes can be connected to any neighbour structures (Mooring fingers, piles, cleats...).



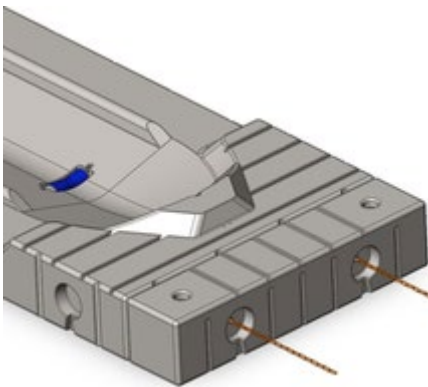
Jet ski between Mooring fingers



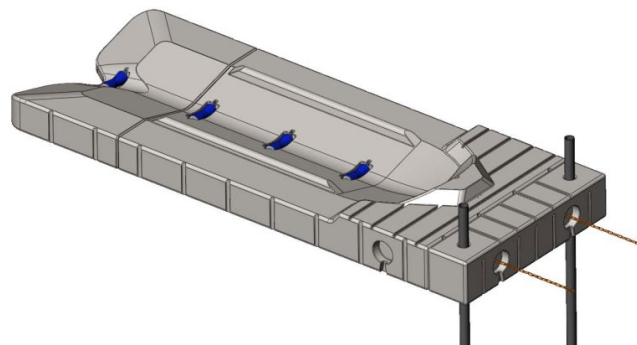
Jet ski connected to fixed/floating pontoon

## 4. Connection through port extension

### 4.1. Application



Extend length of Jet ski port

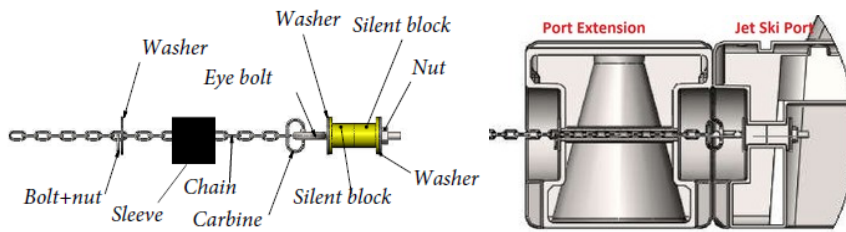


Provide pile connection

Piles can be connected to the ground or to neighbour structures (piers, walls, etc..).

### 4.2. Default accessories, supplied with 1pc. Port Extension:

- 2 pc. bolt with nut
- 2 pc. carabine
- 2 pc. Sleeve
- 2 pc. Washer
- 2x0.5 m chain



### 4.3. Connection

Steps to connect Port extension to Jet ski Port:

- Put Jet ski port upside down
- Loosen washer holding eye bolt
- put Sleeve (green on picture above)
- Put chain through port Extension, connect it to eye bolt using carbine
- Fix chain on the other side of port Extension with washer and carbine
- Tighten washer holding eye bolt

### 5. Maintenance

Jet ski port has an inspection hatch at the front. If you suspect that there is a water inside jet ski port, for example, due to condensation, you should:

- take port out of water.
- turn port upside down, lift if needed, so that inspection hatch is the lowest point.
- Open hatch and let water flow away.

