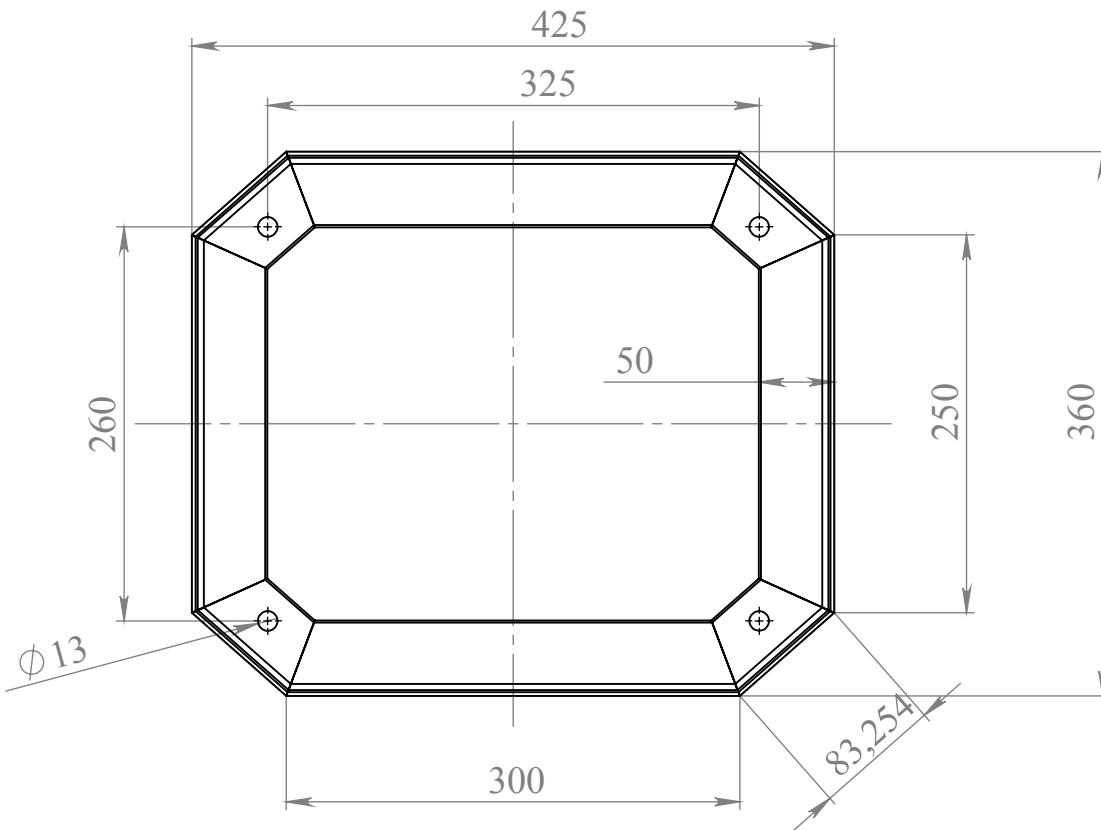
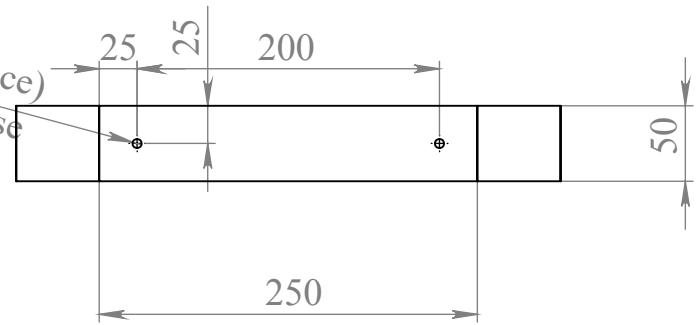


$\varnothing 6$ (4 holes with nuts M6 welded on the inside surface)
Will be used to connect plastic pedestal to steel base
by bolt



Material used: L shaped
steel 50x50 11 pc.